

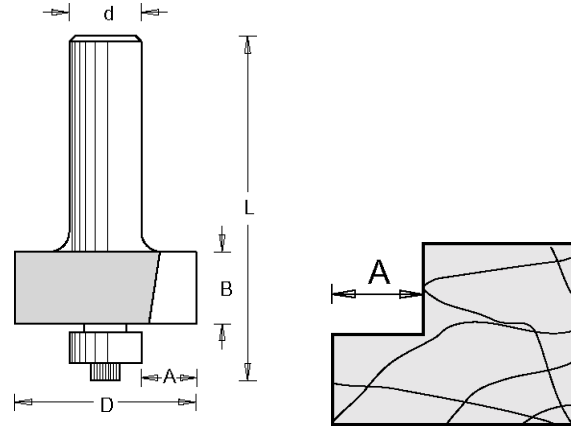
**Section 8  
CMT and Amana Tool  
Rabbetting Router Kits**

**Index**

<b>Item</b>	<b>Page</b>	<b>Item</b>	<b>Page</b>
<b>C</b>		<b>R</b>	
Cavetto Edge Mold 863 (CMT) .....	155	Rabbet, Multi (Amana) .....	145
Cavetto Edge Mold 864 (CMT) .....	156	Rabbet, Special (Amana) .....	144
<b>D</b>		Rabbetting Bit Bearing Set 791.703.00 (CMT) .....	154
Dado & Planer Bits 852-852B (CMT) .....	151	Rabbetting Bits 835 (CMT) .....	152
<b>E</b>		Rabbetting Sets 835.001 / 501 / 502 (CMT) .....	153
Edge Beading Shaper Cutters .....	159	Rabbett (Amana) .....	144
<b>I</b>		<b>S</b>	
Insert Superabbet Jr. (Amana) .....	146	Superabbet Jr. (Amana) .....	148
Insert Superabbet Jr. Accessories (Amana) .....	147	Superabbet Jr. Accessories (Amana) .....	149
<b>M</b>		<b>T</b>	
Mortising Bits 801B (CMT) .....	150	Three-Wing Shaper Cutter Sets (CST) .....	157, 158

## Amana Rabbet

**2 Flute With Ball Bearing Guide**  
**Depth of Rabbet 3/8"**



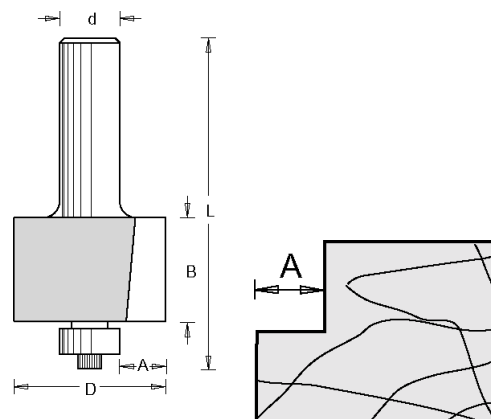
Tool No.	D	A	B	d	L
49300	1-1/4"	3/8"	1/2"	1/4"	2"
49302	1-1/4"	3/8"	1/2"	1/2"	2-3/8"

A		Replacement Bearings
Standard	3/8" Rabbet	47706
Or	7/16" Rabbet	47702
Or	5/16" Rabbet	47718
Or	1/4" Rabbet	47720

## Amana Special Rabbet

**2 Flute With Ball Bearing Guide**  
**Depth of Rabbet 9/32"**

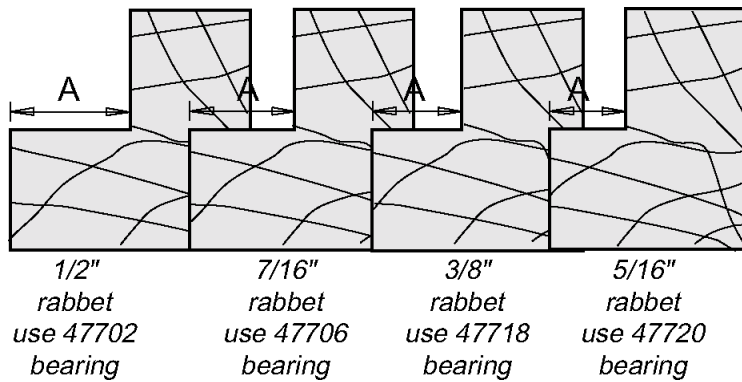
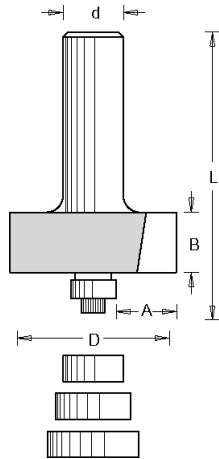
Designed for the "smart-clip"  
backsplash system.



Tool No.	D	A	B	d	L
49310	1-1/16"	9/32"	7/8"	1/2"	2-5/8"
Replacement Bearing = 47706					

## Amana Multi-Rabbet

**2 Flute With 4 Ball Bearings  
Four Different Rabbet Depths**



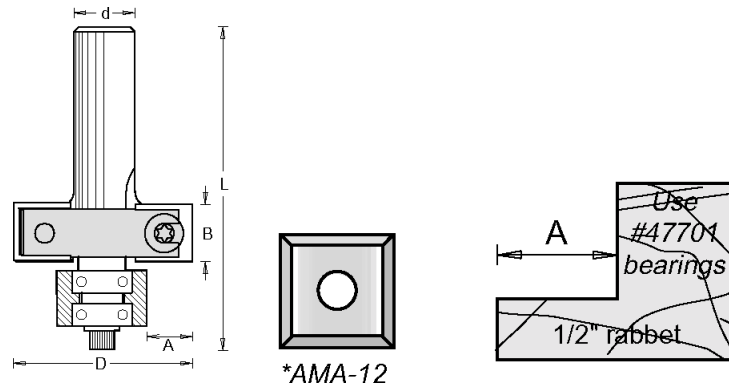
Tool No.	D	A	B	d	L
49340	1-3/8"	5/16", 3/8", 7/16", 1/2"	1/2"	1/4"	2"
49350	1-3/8"	5/16", 3/8", 7/16", 1/2"	1/2"	1/2"	2-3/8"

#6000: Complete Replacement Kit including 4 bearings, hex key, washer & screw.



A	Replacement Bearings
1/2" Rabbet	47702
7/16" Rabbet	47706
3/8" Rabbet	47718
5/16" Rabbet	47720

## Amana Insert Superabbet, Jr.™ 2 Flute With Ball Bearing Guides



A new smaller version of the Insert Superabbet™, this tool features 4-sided replacement carbide knives and the ability to cut 13 different rabbet depths using the collars listed here. Includes bearings for 1/2" depth of cut.

Tool No.	D	A	B	d	L
*RC-49355	1-1/2"	**Flush To 1/2"	12MM (0.472")	1/2"	3"

Using optional collars (see table).

\* Warning: Maximum RPM = 22,000

\*\* Standard general purpose replacement knives = #AMA-12

Knives also available for MDF & solid surface materials

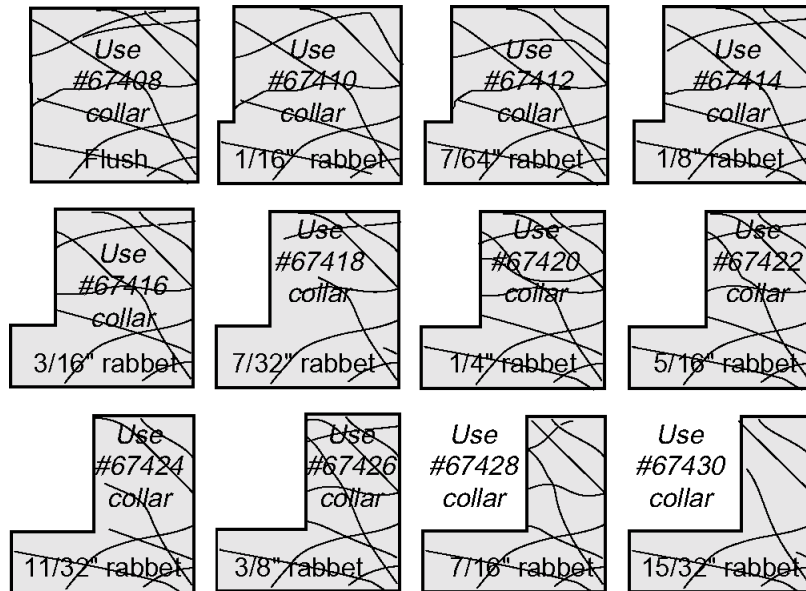
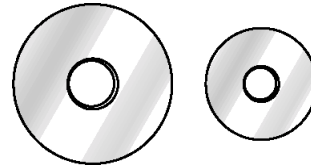
Standard Depth = 1/2"

### INDIVIDUAL COLLARS

Product No.	Collar Diameter	'A' Rabbet Depth
67408	1-1/2"	Flush
67410	1-3/8"	1/16"
67412	1-9/32"	7/64"
67414	1-1/4"	1/8"
67416	1-1/8"	3/16"
67418	1-1/16"	7/32"
67420	1"	1/4"
67422	7/8"	5/16"
67424	13/16"	11/32"
67426	3/4"	3/8"
57428	5/8"	7/16"
67430	9/16"	15/32"

## Amana Insert Superabbet, Jr.™ Accessories

**13 Different Depths With One Tool**



### COLLAR KITS

**#67350**

**5-piece collar kit for rabbet depths:**

- Flush
- 1/16"
- 1/8"
- 1/4"
- 3/8"

**#67355**

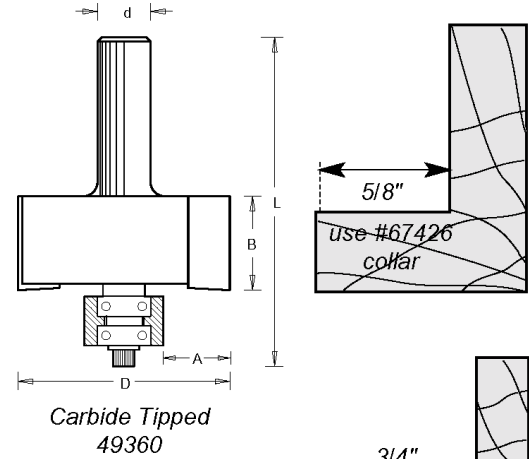
**17-piece collar kit includes:**

- all 12 individual collars
- two #47701 bearings
- #67204 spacer
- #5000 allen key
- #67094 allen screw

## Amana Superabbet™ 2 Flute With Ball Bearing Guides

Ingenious rabbeting bits that will enable rabbet cuts from flush through 3/4" in 1/16" increments, and five undersized plywood sizes, using optional collars.

Particularly useful when working with large stock, or when a precise rabbet depth is required (for example, 23/32" depth for plywood) . . .



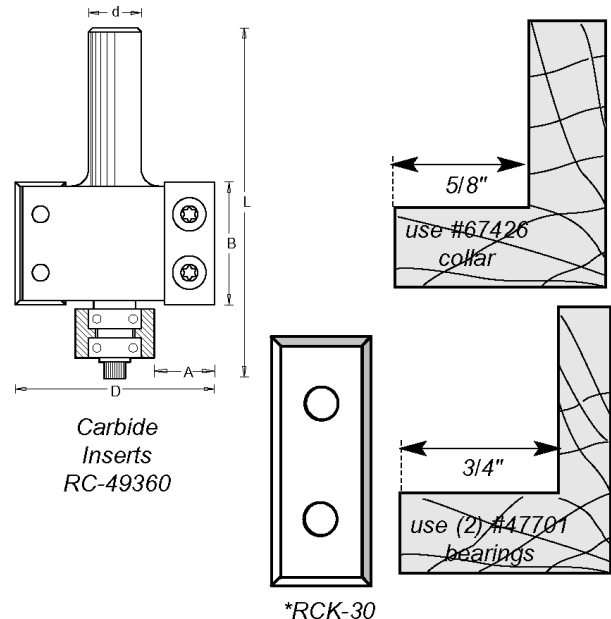
Tool No.	D	A	B	d	L
*49360	2"	5/8" & 3/4"	7/8"	1/2"	3"

\* Warning: Maximum RPM = 22,000

. . . There are 18 different rabbet sizes available between the standard and optional collars.

The basic tools (#49360 & RC-49360) are supplied with a 2" diameter rabbet bit, hex key, instructions and all necessary parts for 5/8" and 3/4" depth rabbets.

(Recommended for Wilsonart® & for SSV® Fabrication)



Tool No.	D	A	B	d	L	Repl. Knives
*RC-49360	2"	5/8" & 3/4"	30MM	1/2"	3-3/8"	**RCK-30

\* Warning: Maximum RPM = 22,000

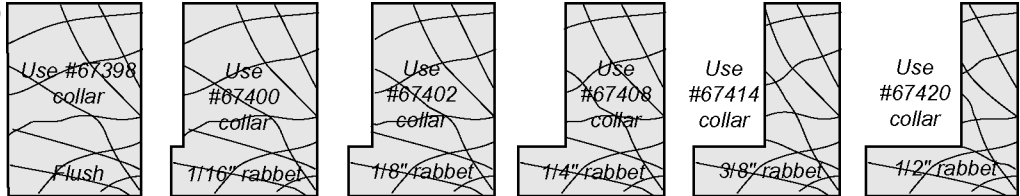
\*\* Standard general purpose replacement knives = #RCK-30 (Minimum Order = 10 Each)  
Knives also available for MDF & solid surface materials

**Note: 5/8" and 3/4" depth is standard with #49360 & RC-49360**

## Amana Superabbet™ Accessories

**18 Different Depths With One Tool**

**67500**  
6-piece collar kit for 1/16", 1/8", 1/4", 3/8", 1/2" depth rabbets.

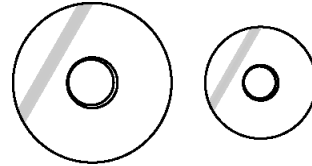


Use #67398 collar  
Use #67400 collar  
Use #67402 collar  
Use #67408 collar  
Use #67414 collar  
Use #67420 collar

Flush  
1/16" rabbet  
1/8" rabbet  
1/4" rabbet  
3/8" rabbet  
1/2" rabbet

**67500 Includes:**

Product No.	Collar Diameter	'A' Rabbet Depth
67398	2"	Flush
67400	1-7/8"	1/16"
67402	1-3/4"	1/8"
67408	1-1/2"	1/4"
67414	1-1/4"	3/8"
67420	1"	1/2"

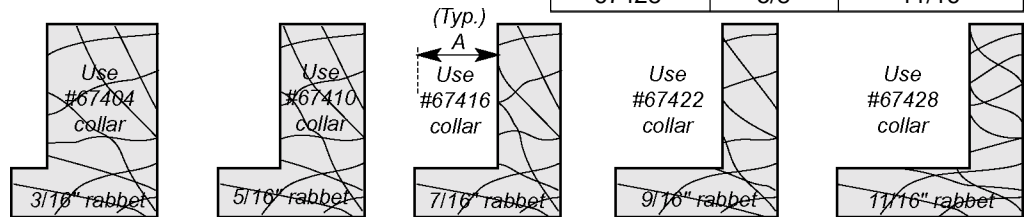


**67600 Includes:**

**67600**

5-piece collar kit for 3/16", 5/16", 7/16", 9/16", 11/16" depth rabbets.

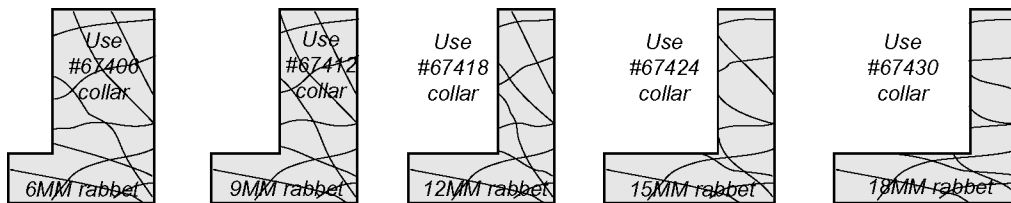
Product No.	Collar Diameter	'A' Rabbet Depth
67404	1-5/8"	3/16"
67410	1-3/8"	5/16"
67416	1-1/8"	7/16"
67422	7/8"	9/16"
67428	5/8"	11/16"



Use #67404 collar  
Use #67410 collar  
Use #67416 collar  
Use #67422 collar  
Use #67428 collar

3/16" rabbet  
5/16" rabbet  
7/16" rabbet  
9/16" rabbet  
11/16" rabbet

(Typ.)  
A



Use #67406 collar  
Use #67412 collar  
Use #67418 collar  
Use #67424 collar  
Use #67430 collar

6MM rabbet  
9MM rabbet  
12MM rabbet  
15MM rabbet  
18MM rabbet

**67700**

5-piece collar kit for 15/64" (6mm), 23/64" (9mm), 15/32" (12mm), 19/32" (15mm), and 23/32" (18mm) depth rabbets.

**67700 Includes:**

Product No.	Collar Diameter	'A' Rabbet Depth
67406	1-17/32"	15/64" (6 mm)
67412	1-9/32"	23/64" (9 mm)
67418	1-1/16"	15/32" (12 mm)
67424	13/16"	9/32" (15 mm)
67430	9/16"	23/32" (18 mm)

**67800**

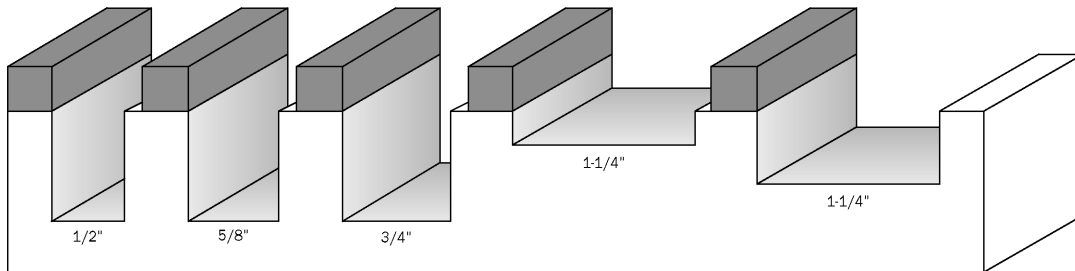
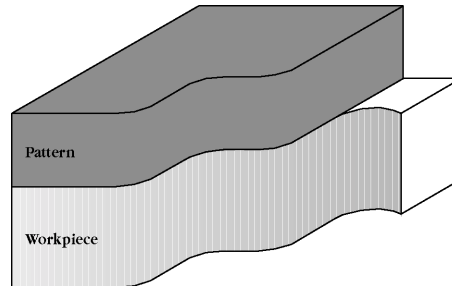
21-piece collar kit includes all 16 individual collars shown above, plus 2 extra #47701 bearings, #67206 spacer, #5000 allen key and #67094 allen screw.

## CMT Mortising Bits 801B

**With Top Bearing Guides**  
**Carbide Tipped**  
**Anti-Kickback**



**Application:** The CMT Mortising Bit With Top Bearing Guide is the perfect bit for sign-making or any kind of template work.



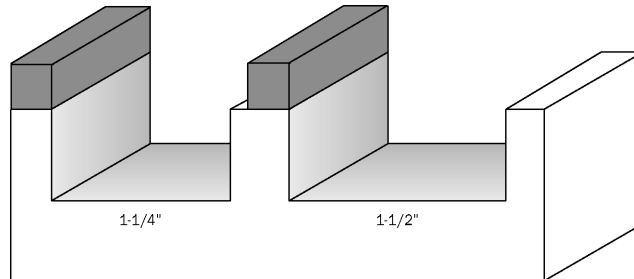
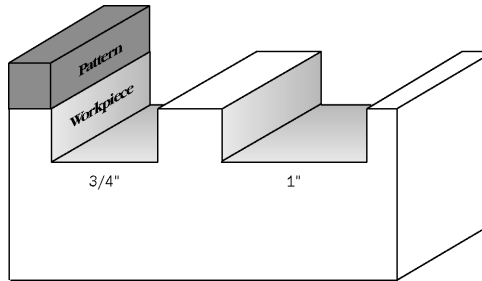
*drawings are 3/4 actual size*

Order No. 1/4" Shank	Order No. 1/2" Shank	D Cutting Diameter		I Cutting Length	Bearing Diameter
		inches	mm		
801.127.11B		1/2"	12.7	3/4"	1/2"
801.158.11B		5/8"	15.8	3/4"	5/8"
801.190.11B		3/4"	19	3/4"	3/4"
	801.818.11B	1-1/4"	31.7	15/64"	1-1/4"
	801.817.11B	1-1/4"	31.7	1/2"	1-1/4"
<b>Spare Parts</b>					
791.010.00	1/2" Bearing				
791.009.00	5/8" Bearing				
791.004.00	3/4" Bearing				
791.015.00	1-1/4" Bearing				
541.001.00	Stop Collar For 1/4" Shanks				
541.002.00	Stop Collar For 1/2" Shanks				
991.056.00	1.5 mm Hex Key For Stop Collars				

## CMT Dado & Planer Bits 852-852B

**With Or Without Top Bearing Guides**  
**Carbide Tipped**  
**Anti-Kickback**

**Application:** CMT Dado & Planer Bits were designed exclusively for cleaning dadoes and finishing rough stock. They are also capable of stripping paint and varnish quickly and efficiently. Available with bearing guide for standard pattern work.



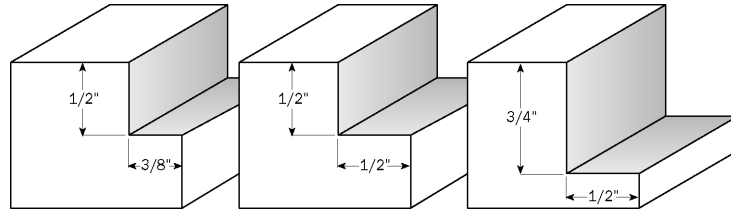
*drawings are 3/4 actual size*



Order No. 1/4" Shank	Order No. 1/2" Shank	D Cutting Diameter		I Cutting Length	Bearing Diameter
		inches	mm		
852.001.11	852.501.11	3/4"	19	3/8"	
	852.502.11	1"	25.4	3/8"	
	852.503.11	1-1/4"	31.7	5/8"	
	852.504.11	1-1/2"	38.1	5/8"	
<b>With Top Bearing</b>					
852.001.11B	852.501.11B	3/4"	19	3/8"	3/4"
	852.503.11B	1-1/4"	31.7	5/8"	1-1/4"
	852.504.11B	1-1/2"	38.1	5/8"	1-1/2"
<b>Spare Parts</b>					
791.004.00	3/4" Bearing With 1/4" Inner Diameter				
791.011.00	3/4" Bearing With 1/2" Inner Diameter				
791.015.00	1-1/4" Bearing				
791.020.00	1-1/2" Bearing				
541.001.00	Stop Collar For 1/4" Shanks				
541.002.00	Stop Collar For 1/2" Shanks				
991.056.00	1.5 mm Hex Key For Stop Collars				

## CMT Rabbeting Bits 835

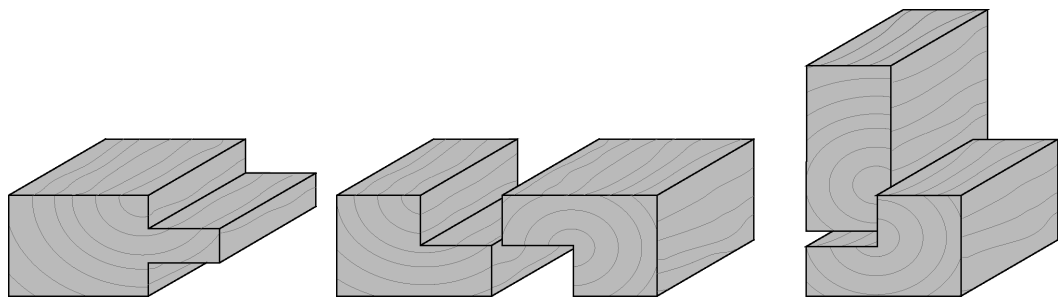
**With Bearing Guides  
Carbide Tipped  
Anti-Kickback**



**Application:** The biggest problem encountered when rabbeting is achieving a cut with a deep enough groove. Usually, it takes more than one cut to get the depth you want, causing you to risk precision and waste time. With CMT Rabbeting Bits, the problem is resolved.

Our carbide-faced rabbeting bits are fast and accurate. You can quickly produce inset doors and drawer fronts, make strong rabbet joints, mill perfect tongue and groove joints or any number of other jobs that before were time-consuming and difficult. You can even re-groove old window frames to fit insulated glass panes with the extra-long CMT 3/4" rabbeting bit.

Other possibilities are illustrated here and on following pages. Use Slot Cutters and Round over Bits to put extra finishing touches on all your grooving and rabbeting projects.



*drawings are 3/4 actual size*

**TENON**

**2-RABBET LAP JOINT**

**1-RABBET LAP JOINT**

Order No. 1/4" Shank	Order No. 1/2" Shank	H Cutting Depth inches	H Cutting Depth mm	D Cutting Diameter	I Cutting Length	Bearing Diameter
835.317.11	835.817.11	3/8"	9.5	1-1/4"	1/2"	1/2"
835.350.11	835.850.11	1/2"	12.7	1-3/8"	1/2"	3/8"
	835.851.11	1/2"	12.7	1-3/8"	3/4"	3/8"
<b>Spare Parts</b>						
791.002.00	3/8" Bearing					
791.003.00	1/2" Bearing					
990.057.00	Screw For Bearing 1/8W Thread					
991.057.00	3/32" Hex Key For 1/8W Screws					

## CMT Rabbeting Sets 835.001 / 501 / 502

**Carbide Tipped  
Anti-Kickback**

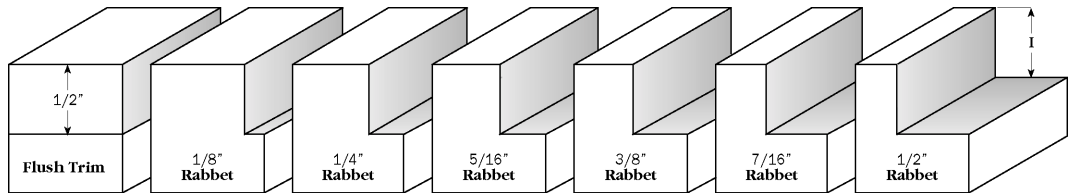
**Application:** CMT carbide-tipped Rabbeting Bits Sets are fast and accurate. You can quickly produce inset doors and door fronts, make strong rabbet joints, mill perfect tongue and groove joints. They can even be used as a flush trim or pattern-following bit, or for any number of other jobs.

CMT Rabbeting Sets allow you to make a limitless number of cuts by adjusting the cutting height on your router and changing the bearing on the bit. Each set comes complete with one rabbeting bit with 3/8" bearing assembled and six changeable ball bearing guides, which are also sold separately.

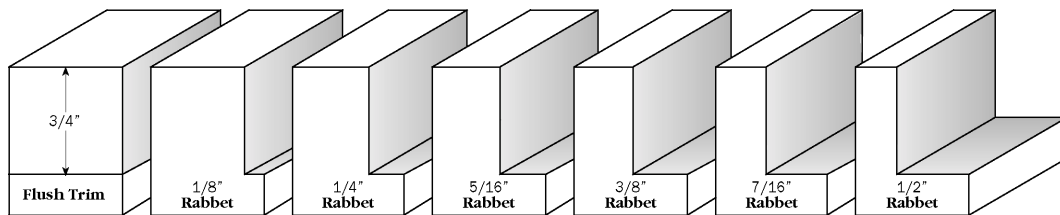
**Important:** Always assemble the black bearing heat shield with the raised side up when changing the bearing. Improper assembly will cause the screw to come loose and the bearing to fall off when working.



**Bearing Set 791.703.00**



**835.001.11 Rabbeting Set contains rabbeting bit 835.350.11  
835.501.11 Rabbeting Set contains rabbeting bits 835.850.11**



*drawings are 3/4 actual size*

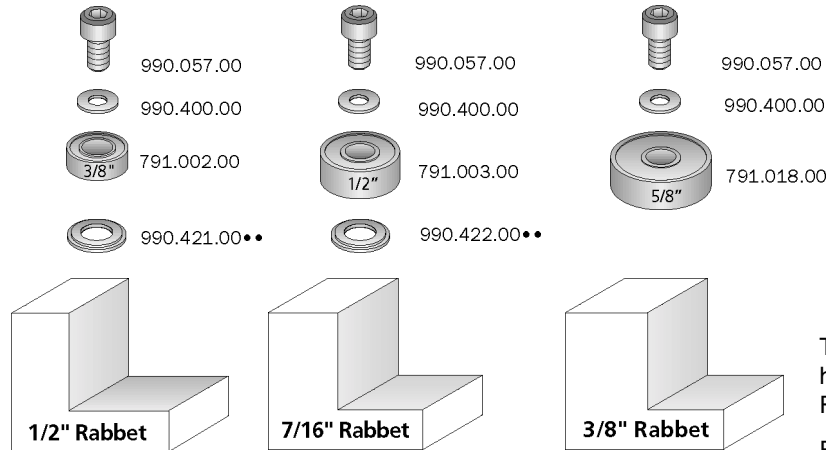
**835-502.11 Rabbeting Set contains rabbeting bit 835-851.11**

Order No. 1/4" Shank	Order No. 1/2" Shank	H Cutting Depth inches mm		D Cutting Diameter Inches mm		I Cutting Length
835.001.11	835.501.11	1/8" to 1/2"	3.2 - 12.7	1-3/8"	34.9	1/2"
	835.502.11	1/8" to 1/2"	3.2 - 12.7	1-3/8"	34.9	3/4"

**Spare Parts** – Bearing Set (see next page)

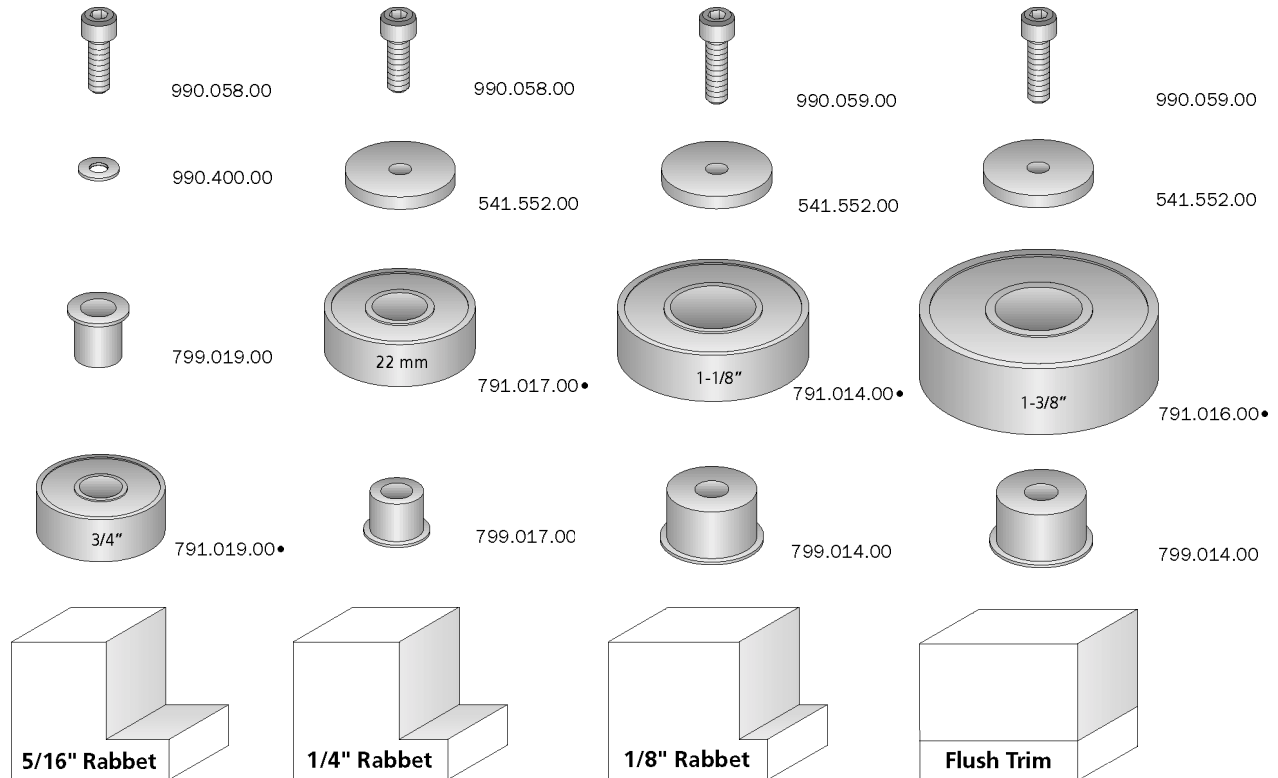
**CMT Rabbeting Bit Bearing Set 791.703.00**

**And Assembly Instructions**



These items make up the bearing tree and hardware pouch included in the CMT Rabbeting Set 835.001/501/502.

Rabbeting Bit Bearing Set available separately. Assembly instructions shown below also come with the Rabbeting Set.



\* The item number for the bearing includes the reducer already assembled in the bearing.

\*\* Always assemble the black bearing shield with the raised side up when changing the bearing.

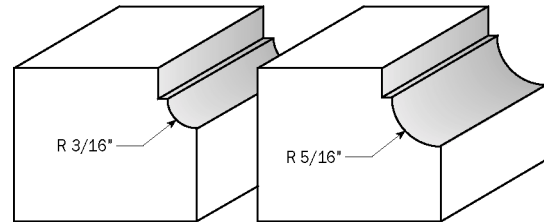
## CMT Cavetto Edge Mold 863

**With Ball Bearing Guides**  
**Carbide Tipped**  
**Anti-Kickback**



**Application:** Ideal for making edge molds with a traditional profile. Cut a standard cove with a subtle top fillet or adjust the height to get just a cove. Adds a special touch to furniture pieces.

**Important:** Always assemble the black bearing heat shield with the raised side up when changing the bearing. Improper assembly will cause the screw to come loose and the bearing to fall off when working.



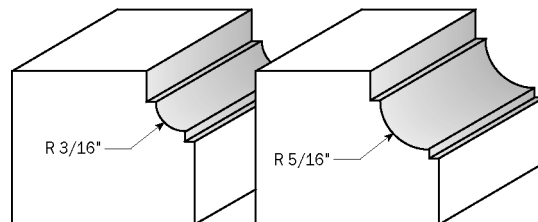
Order No. 1/4" Shank	Order No. 1/2" Shank	R Cutting Radius		D Cutting Diameter	I Cutting Length
		inches	mm		
863.048.11	863.548.11	3/16"	4.75	1"	29/64"
863.080.11	863.580.11	5/16"	8	1-1/4"	9/16"
<b>Spare Parts</b>					
791.003.00	1/2" Bearing				
90.057.00	Screw For Bearing 1/8W Thread				
991.057.00	3/32" Hex Key For 1/8W Screws				
990.423.00	Shield				

## CMT Cavetto Edge Mold 864

**With Ball Bearing Guides**  
**Carbide Tipped**  
**Anti-Kickback**



**Application:** Makes a traditional cove profile with top and bottom fillet grooves in all woods and wood composites.

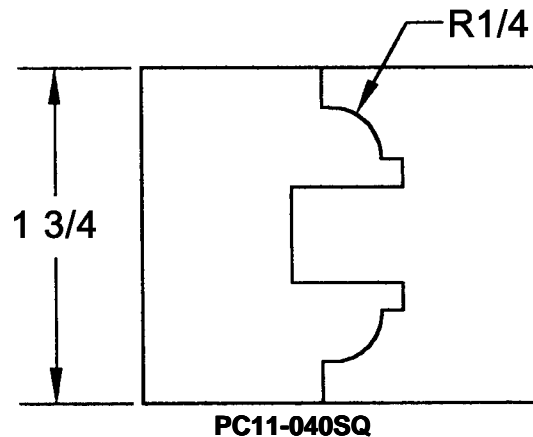
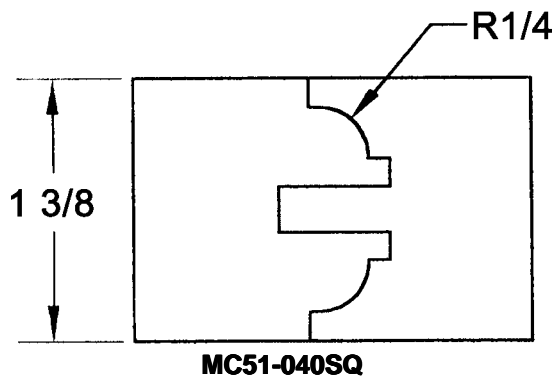
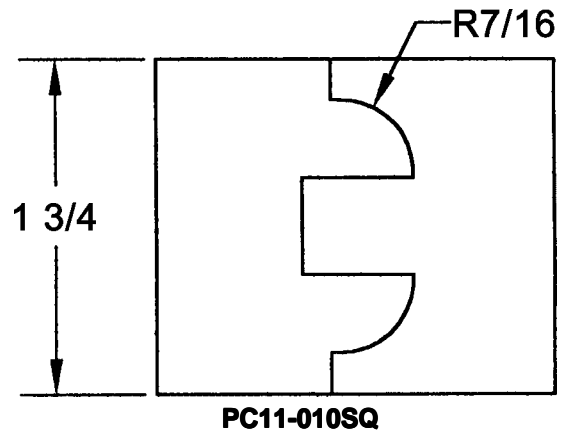
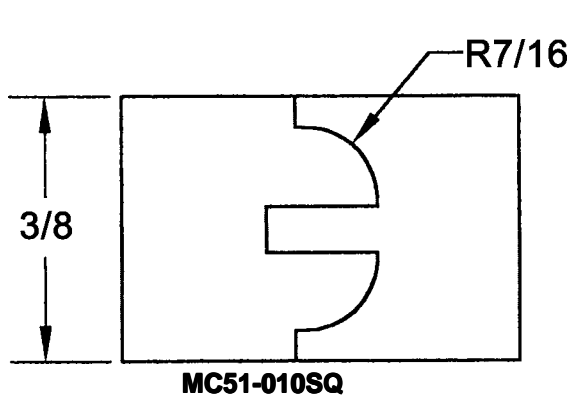


Order No. 1/4" Shank	Order No. 1/2" Shank	R Cutting Radius		D Cutting Diameter	I Cutting Length
		inches	mm		
864.048.11	864.548.11	3/16"	4.75	1"	29/64"
864.080.11	864.580.11	5/16"	8	1-1/4"	9/16"
<b>Spare Parts</b>					
791.002.00	3/8" Bearing				
990.057.00	Screw For Bearing 1/8W Thread				
991.057.00	3/32" Hex Key For 1/8W Screws				
990.422.00	Shield				

## CST Custom 3-Wing Shaper Cutter Sets

**Offered Exclusively By Connecticut Saw & Tool**

**Application:** These 8-piece sets make  
1-3/8" and 1-3/4" doors.

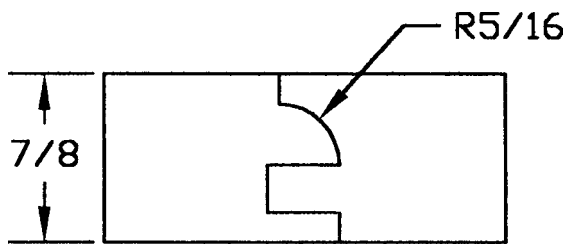


Stock No.	Bore
MC51-010SQ	3/4"
PC11-010SQ	1-1/4"
MC51-040SQ	3/4"
PC11-040SQ	1-1/4"

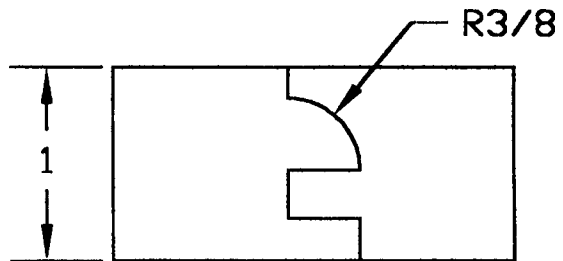
## CST Custom 3-Wing Shaper Cutter Sets

Larger Radius Cabinet Door Sets

Offered Exclusively By Connecticut Saw & Tool



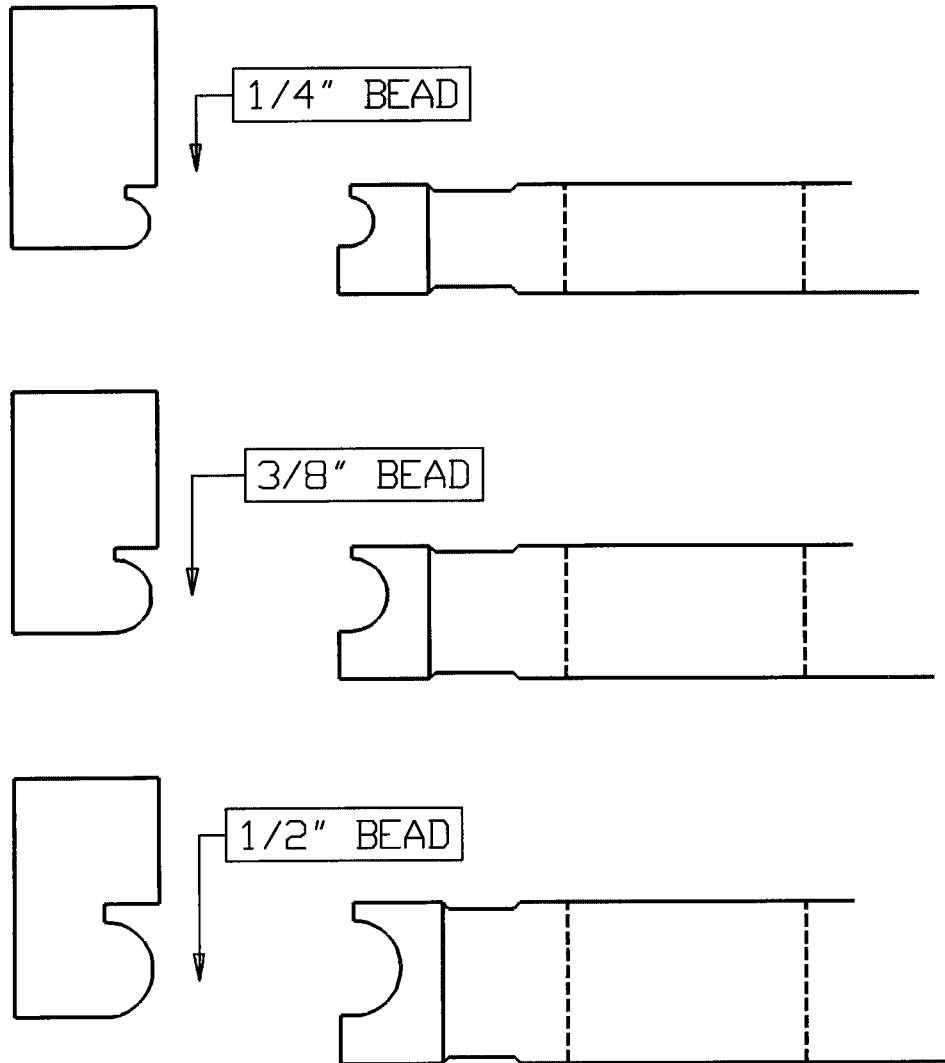
**PC10-010-5/16R (Carbide)  
PT10-010-5/16R (Tantung)**



**PC10-010-3/8R (Carbide)  
PT10-101-3/8R (Tantung)**

Stock No.	Radius
PC10-010-5/16R	5/16"
PT10-010-5/16R	5/16"
PC10-010-3/8R	3/8"
PT10-101-3/8R	3/8"

## Edge Beading Shaper Cutters





## ROUTER BITS

AMANA TOOL & CMT RABBETTING ROUTER KITS,  
CST SHAPER CUTTER SETS

*We Carry An Extensive Stock  
Of Popular Brands & Products*

### Products

Adaptors	Hand Rail Bits & Cutters
Band Saws	Hole Saws
Boring Bits	Insert Tooling
Clamping Systems	Molder Heads
CNC Tooling	Planer & Joiner Knives
Collets	Rail & Stile Cutters
Coping Heads	Raised Panel Cutters
Corrugated Carbide Knives	Rosettes
Crown Molding Knives	Router Bits
Custom Profile Cutters	Saw Blades
Dado Sets	Shaper Cutters
Drill Bits	Shaper Heads & Collars
Edge Forming	Solid Surface Bits
Finger Jointing Systems	Tenoner Tooling
Forstner Bits	Window Sash Cutters
Groovers	

### Popular Brands

AMANA  
CMT  
DML  
ESTA  
FREUD  
FREEBORN  
FS TOOL  
FULLER  
GUHDO  
LEITZ  
LENOX  
LEUCO  
LRH  
MAGNA  
ONSRUD  
SYSTEMATIC  
TERMINUS  
TERSA  
VELEPEC  
WHITESIDE  
WILLIAMS & HUSSEY  
WISCONSIN KNIFE WORKS